

HTW-MSB Series

Ball Valve Technical and Operating Manual



1. General

HTW-MSB Series Motorized Ball Valves are with manual knob, used to control the on/off of heat/cool water air-conditioning system pipe to control the room temperature. The valve is driven by synchronous motor. The motor connects with room thermostats by the terminal of common, open and close. By sampling and dealing with the site data, the thermostats send control signal to open/close the motor of ball valve. Then the heat/cool water enters into fan coil unit to supply the heat or cool air. When the room temperature reaches the set-point, thermostat will send a signal to cut off the ball valve and make it on the best status. Then the room temperature will keep in the comfortable range.

Valve thread size: G1/2、G3/4、G1

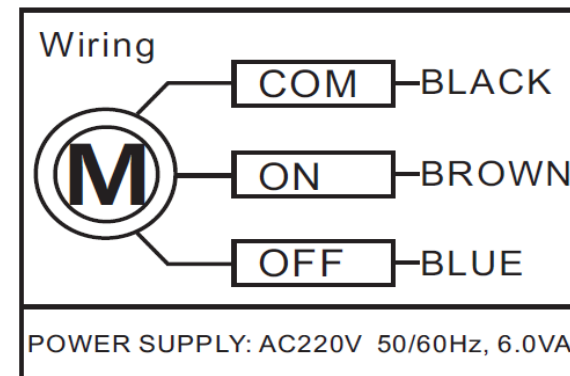
Thread connection. Valve body could be installed first. Simple wiring. The actuator could be installed near to the wall.

2. Material:

- ⊙ Valve Body: Hpb59-1 (Gilded with Nickle) ;
- ⊙ Valve Seal: Stem: EPDM with double O-ring ;
- ⊙ Ball: PTFE+EPDM with double O-ring;
- ⊙ Actuator enclosure: PC+10GF;
- ⊙ Actuator revolving shaft: POM;

3. Specifications:

- ⊙ Actuator motor: Reversible synchronous motor
- ⊙ Power supply: AC220V, AC24V
- ⊙ Output torque: 10N.m
- ⊙ Control way: on/off or 3-piont
- ⊙ Media temperature range: 2°C~90°C
- ⊙ Running time: 16S/50Hz, 12S/60Hz
- ⊙ Pressure grade: PN20
- ⊙ Protect rank: IP54
- ⊙ Power consumption: <5W
- ⊙ Pipe Connection: G/BSP
- ⊙ Ambient temperature: -5°C~60°C
- ⊙ Ambient humidity: <90%



4. Specification Form

Model	Valve	Valve Size	Flux Value(KV)	Connection	Closing Pressure (MPa)	Work Medium	Media Temp.	Ambient Temp.	Pressure (MPa)	Power Supply
HTW-MSB-215	Two-way	DN15	3.6(4.6)	G1/2	1.0	Chilling water/ hot water	2-90°C	-5-60°C	1	<ul style="list-style-type: none"> ●24Vac ●220Vac 50-60HZ
HTW-MSB-315	Three-way	DN15	3.6(4.6)	G1/2	1.0					
HTW-MSB-220	Two-way	DN20	6.6 (7.4)	G3/4	0.8					
HTW-MSB-320	Three-way	DN20	6.6 (7.4)	G3/4	0.8					
HTW-MSB-225	Two-way	DN25	12.2(13.5)	G1	0.7					
HTW-MSB-325	Three-way	DN25	12.2(13.5)	G1	0.7					

5. Dimension

Size	Size(mm)					
	A	B	C	D	E	F
1/2" DN15	67	34	34	75	33.5	27
3/4" DN20	66	36	36	75	33	32.5
1" DN20	88	40	38	75	44	40

