

HTW-71-18B6F Series

Motorized ON/OFF or Modulating Ball Valve



1. General

HTW-71-18B6F Series Motorized Ball Valves are assembled with a force of actuator from 20Nm, 24Nm, to 32Nm with valve body sized from G2.1/2(DN65) to G6(DN150). With power supply optional: AC24 \pm 10%, 50/60Hz or AC220 \pm 10%, 50/60Hz, whose control signal can be customized as ON/OFF, 0(2)~10VDC or 4~20mA, with or without non-voltage feedback contact.

They are widely used in Heating, Air-Conditioning, Refrigeration, and Building Auto-Control system. With their precisely adjusting of the medium flow rate, this series ball valves accordingly control temperature, humidity, pressure for an Energy-Saving purpose.

2. General

- ⊙ Equal percentage flow, valve body overall design, zero leaking;
- ⊙ 600Kpa close off pressure differential, PN1.6 valve pressure;
- ⊙ 4 directions actuator installed in, easy to wire and maintenance;
- ⊙ Built-In two floating auxiliary switches, equipped with auto power shut as properly positioned ;
- ⊙ Actuator easily mounted/dismounted after pipe mounted completely;
- ⊙ Eliminate reverse flow slam and water hammer.

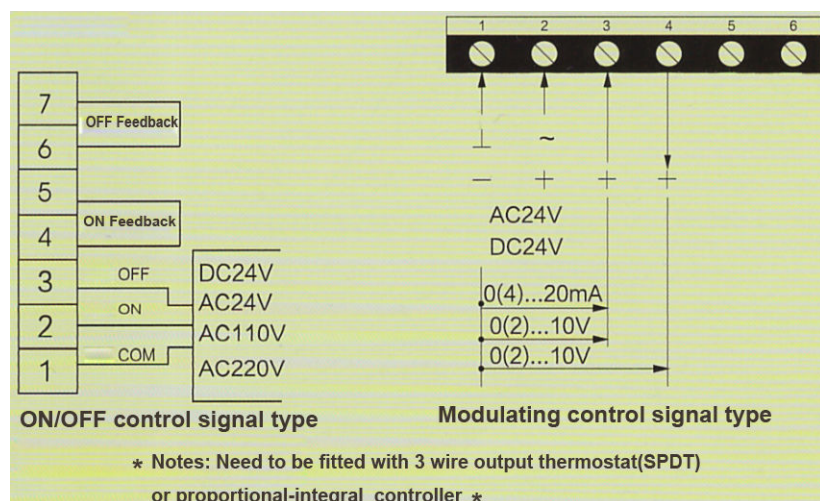
3. General

- ⊙ Valve body size: G2.1/2(DN65) to G6(DN150);
- ⊙ Connection: G/BSP thread;
- ⊙ Medium: cold or hot water or 60% glycol;
- ⊙ Control Signal: On/Off or 0(2)~10VDC or 4~20mA;
- ⊙ Voltage Supply: 220Vac \pm 10%, 24Vac \pm 10%;
- ⊙ Power Consumption: 6W;
- ⊙ Output Torque: 20Nm, 24Nm, to 32Nm;
- ⊙ Open/Close Running time: 40~80S;
- ⊙ Media temperature range: 1°C~95°C
- ⊙ Ambient temperature: 0°C~60°C
- ⊙ Max. Pressure of valve body: 1.6Mpa

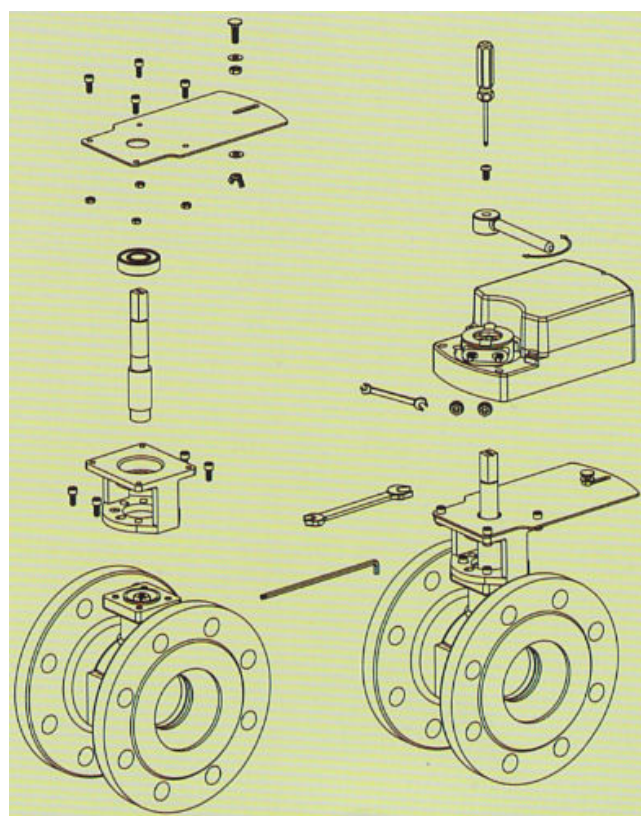
4.Specification Form

Model	Valve	Thread Size	Actuator Torgue(Nm)	Work Medium	Media Temp.	Ambient Temp.	Pressure (MPa)	Power Supply
HTW-71-18B6F-265	Two-way	G 2.1/2	16Nm	Chilling water /Hot water /60% Glycol	1-95℃	0-60℃	1.6	●24Vac ●220Vac 50/60HZ
HTW-71-18B6F-280	Two-way	G3	16Nm					
HTW-71-18B6F-2100	Two-way	G4	16Nm					
HTW-71-18B6F-2125	Two-way	G5	24Nm					
HTW-71-18B6F-2150	Two-way	G6	24Nm					

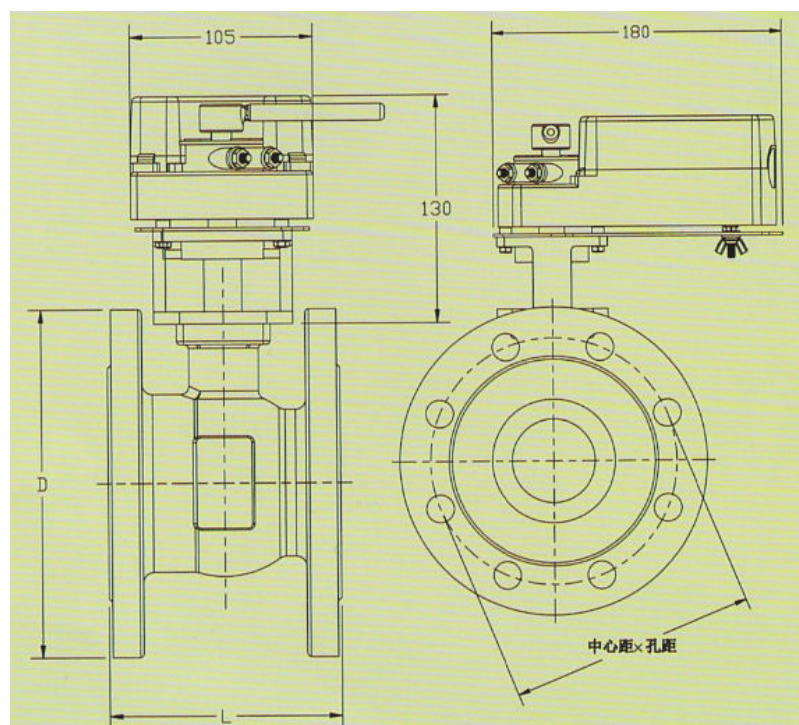
5.Wiring Diagram



6.Installation



7.Outline Dimension



Hotowell International Co.,Limited

www.hotowell.com

Tel.:+86-592-3327332

Fax.:+86-592-3272142