

This surface-mounted radio thermostat has been developed to be able to switch electric and conventional heating systems on and off using a set temperature and time.



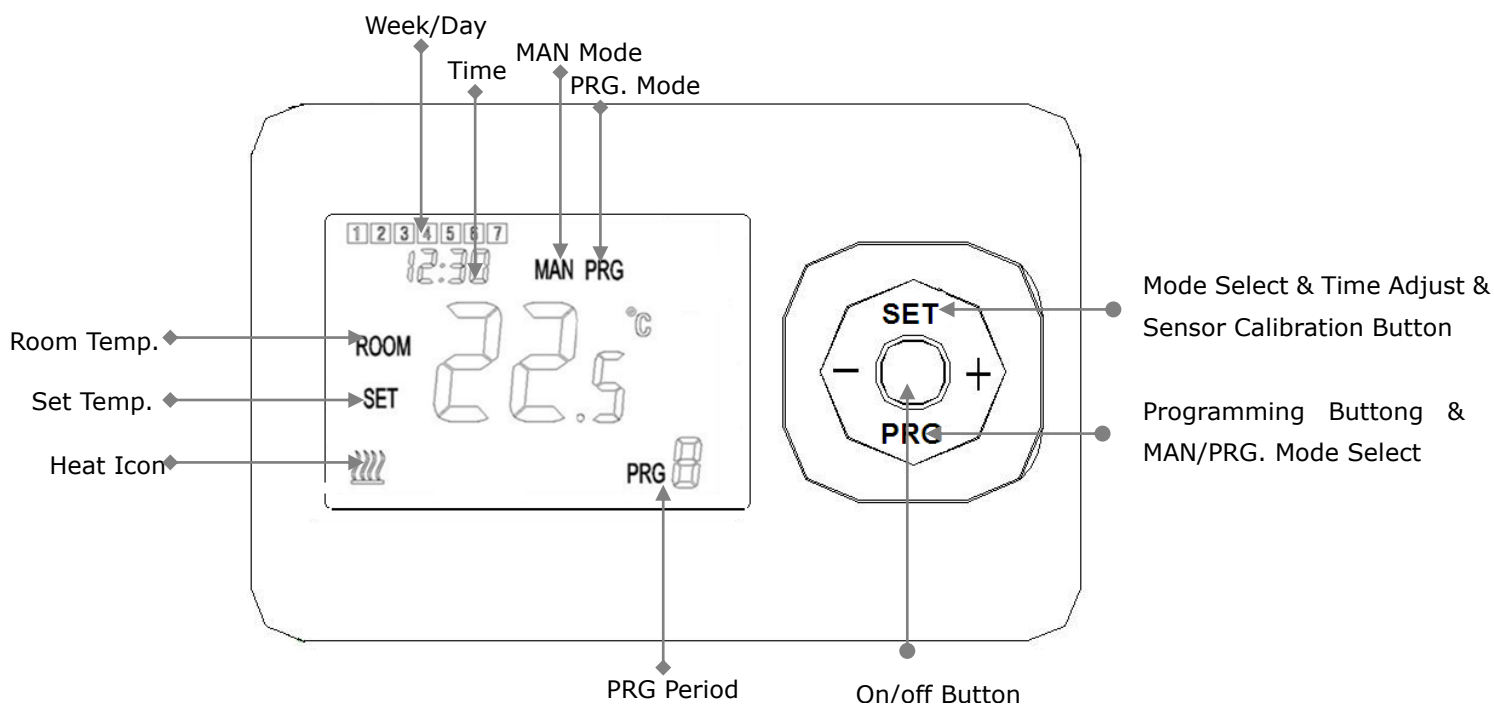
## Functions

- ✓ Large display can be clearly read with the background lighting.
- ✓ Easy to fit thermostat and receiver.
- ✓ Five buttons make it easy to use.
- ✓ 4 periods of each day programmable
- ✓ The display shows the set temperature as well as the measured temperature, time.
- ✓ Temperature display in degrees Celsius.
- ✓ The thermostat is supplied with a wall-fixing frame, base and a very compact receiver (surface-mounted).

## Technical Data

Thermostat operating voltage:	2 x AA1.5 V, alkaline batteries.
Backup storage:	EEPROM
Receiver operating voltage:	230 VAC, 50/60 Hz
Maximum voltage / (ohmic) load:	250 VAC/10 A.
Frequency:	868 MHz
Channel selection:	By programming the thermostat and the receiver.
Switching options:	7day, 4 periods each day.
Receiver switch contacts:	NO and NC.
Temperature settings:	5°C ~ 35°C, 0.5°C increments.
Accuracy:	+/- 0.5°C
Thermostat dimensions:	Surface mounted, 135mm x 87.5 mm x 23.2mm.
Receiver dimensions:	Surface mounted, 86mm x 86 mm
Color:	White
IP protection rating:	20.
Certification:	CE, Rohs, R&TTE

## Display & Buttons



## PRG. Schedule Setting

Long press **PRG** button to enter PRG setting. The weekday is fixed from Monday to Sunday(1~7), each day have 4 periods(1~4). Each press of **PRG** button can into next item setting.

The time and temperature of each period i can be set in following steps.

- 1). Press **PRG** and hold for 3 seconds, the time display flash, change the value by + and - button. (each press is 15mins)
- 2). Press **PRG** button, the temperature display flash, change the temperature by + and - button.
- 3). Press **PRG** button to next period.
- 4). The other period settings follow the same way.

### Default Setting:

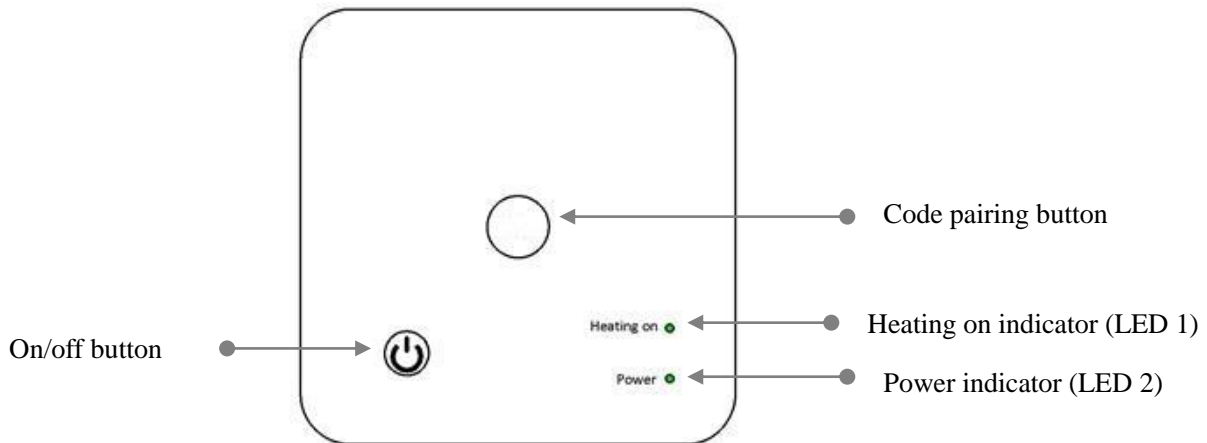
Period	1		2		3		4	
	Time	Temp	Time	Temp	Time	Temp	Time	Temp
12345(Mon.~Fri.)	7:00	22°C	8:30	19°C	17:00	22°C	22:00	19°C
6(Sat.)	8:00	22°C	8:30	22°C	17:00	22°C	22:00	19°C
7(Sun.)	8:00	22°C	8:30	22°C	17:00	22°C	22:00	19°C

## Clock Adjustment

- Press and hold the **SET** button for around 3 seconds. The minutes display (top left in the display) flashes.
- Change this value using the + and - buttons.

- Press the **SET** button . The hour display (top left in the display) flashes.
- Change this value using the + and – buttons.
- Press the **SET** button. The day display (top left in the display) will flash as a number.
- Change this value using the + and – buttons. Use 1 for Monday, 2 for Tuesday, 3 for Wednesday, 4 for Thursday, 5 for Friday, 6 for Saturday and 7 for Sunday.

## Code Pairing



### I. Code Pairing with Sender

- 1) Long press the code pairing button on the receiver until LED 2 is flickering quickly.
- 2) Turn off sender, and long press **SET** button until the code shows on the screen, then press + button again.
- 3) Wait for a while, LED 2 stop flickering. Code pairing done.

### II. Code Pairing with App

- 1) Scan the QR code, and download “Smart Life” APP from google play or app store
- 2) Install app and register account
- 3) Add device by press + button at top right corner
- 4) Press “ Home Appliances II”
- 5) Find “ Thermostat or Heater” on the list and press
- 6) Long press Pairing button(F) on receiver to enter wifi connection mode, the LED will flash quickly.
- 7) Press “Confirm indicator rapidly blink” on phone.
- 8) Wait a moment till connection done. The LED on receiver will stop flashing. Wifi connection success.  
If the LED still flash slowly, the connection fail, please try again from step. 5.



### III. Clear all pairing

Long press both code pairing button and On/Off button for 5s, until LED1 and LED2 light.

And then light off, which mean the code pairing are eliminate.

### IV. Signal Lost

In case the RF and WIFI signal lost/disconnected, LED 2 will flicker slowly.

## Open Window Detection

When the Open Window detect function is enabled in the parameter setting, the system will automatically stop heating when it detects a sudden drop of room temperature (2°C in 15 minutes as default). This is normally caused when a window or door is opened without turning off the heating device.

The device will return to the previous mode of operation after 30mins, then **OP** disappear. Press any button will exit OWD function during the heating off period.

## Parameter Setting

Under off mode, press and hold **SET** button and **+** button for 6s to enter parameter setting. Each press of **SET** button will go to next item setting. Adjust the value by pressing **+** or **-** button.

<u>Menu</u>	<u>Description</u>	<u>Range</u>	<u>Default Value</u>
01	Temp. calibration for internal sensor	-8 °C ~8 °C	0°C
02	Set Point Max.	5 °C ~35°C	35 °C
03	Set Point Min.	5 °C ~35°C	5 °C
05	Frost Protection Temp.	5 °C ~15°C	5 °C
09	Dead zone	0~3°C	0°C
10	Display	0: Room temp. 1: SET temp.	0
12	Open window detect function	1: Enable 0: Disable	0
13	OWD Detect Time	2~30mins	15mins
14	OWD Drop temp. select ( within detect time )	2.3.4°C	2 °C
15	OWD Delay time select (Return to previous working status)	10~60min	30mins
17	Factory reset	0: No 1: Yes, and then press On/off button for 5s,wait until thermostat restart	0
18	Software version	7109	

## Wiring Diagram

