

General



HTW-31-KT19T wireless thermostat(Transmitter) is used in heating only or cooling only systems to maintain selected room temperature. The controller acquires the room temperature with its integrated sensor and maintains the set point by delivering control commands.

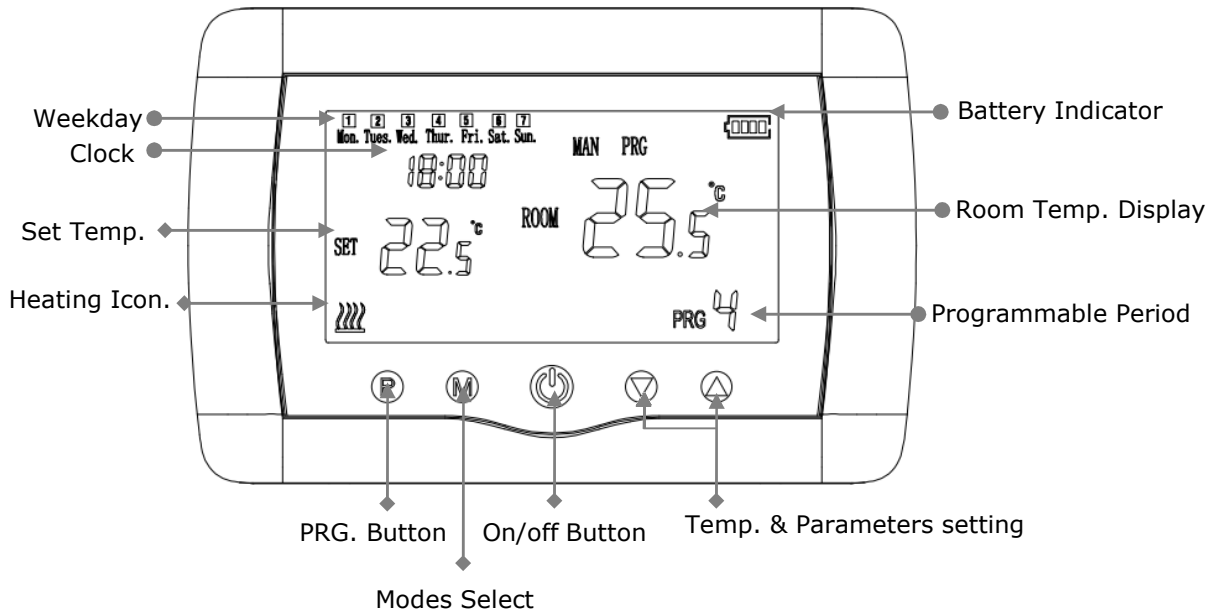
Functions

- ✓ Large display can be clearly read with the background lighting.
- ✓ Four buttons make it easy to use.
- ✓ MAN Mode and PRG. Mode
- ✓ 4 periods of each day programmable(5+1+1)
- ✓ The display shows the set temperature as well as the measured temperature, time.
- ✓ Temperature display in degrees Celsius.

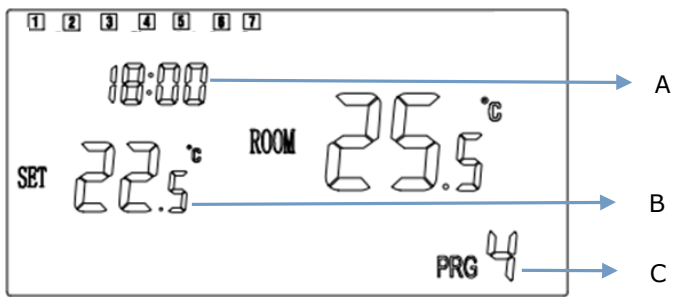
Technical Data

Thermostat operating voltage:	2 x AAA, alkaline batteries.
Frequency:	868Mhz/433Mhz
Channel selection:	By programming the thermostat and the receiver.
Switching options:	5+1+1
Temperature settings:	5°C ~ 30°C, 0.5°C increments.
Accuracy:	+/- 0.5°C
Thermostat dimensions:	Surface mounted, 135mm x 87.5 mm x 23.2mm.
Color:	White
IP protection rating:	30.
Certification:	CE/RoHS

Display & Buttons



PRG. Schedule Setting



The weekday is fixed from Monday to Sunday(1~7), each day have 4 periods(1~4). Each press of **P** button can into next item setting. The time and temperature of each period can be set in following steps.

- 1). Press **P** and hold for 3 seconds, press **P** button three times to skip clock adjust, then time display flash (A), change the value by up and down button. (each press is 15mins)
- 2) Press **P** button , the temperature display flash(B), change the temperature by up and down button.
- 3). Press **P** button to next period (C).
- 4). The other period settings follow the same way.

Example:

	Monday to Friday				Saturday				Sunday			
Period	1	2	3	4	1	2	3	4	1	2	3	4
Time	6:30	8:00	18:00	22:30	8:00	10:00	18:00	23:00	9:00	12:00	19:00	0:00
Temp.	21°C	18°C	21°C	16°C	21°C	21°C	21°C	16°C	23°C	21°C	16°C	21°C

Clock Adjustment

Long Press P button for 2-3 seconds

You will see 00:00 hour information. Set the minute with up and down buttons.

Proceed with P button.

Set the hour with up and down buttons.

Proceed with P button.

Select the day with up and down buttons.

Proceed with P button.

Save your settings by pressing ON/OFF button or wait about 15 seconds.

Temp. Calibration

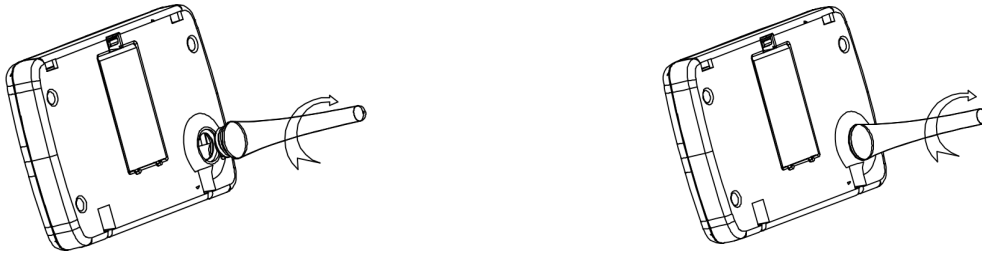
If the temperature on the display does not agree with the room temperature effectively measured, the temperature sensor can be recalibrated. For that purpose, long press M button for 2 seconds when the controller is off. Then, the temperature displayed can be changed by a maximum of +/- 8 °C by pressing the up and down buttons. Five seconds after the last push of a button, the controller will automatically return to off status. Or, the controller will return to main display by pressing "On/Off" button.

Code Pairing & Code Unlink(If With)

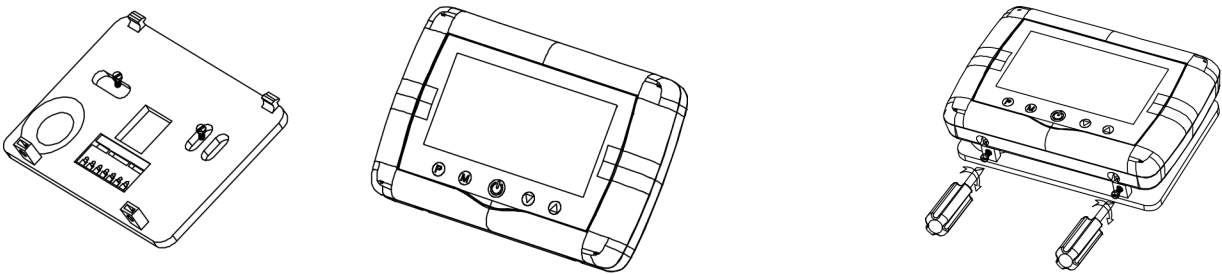
- a) At control centre(HTW-31-X8), press KEY button(K1-K8), indicator flashing
- b) On thermostat, turn off thermostat, hold "SET" button for 3 seconds, it will show the code on display, then press "SET" button again,, until the indicator on control centre(LED1-LED8) stop flashing, code pairing finish.
- c) You can check if thermostat and HTW-31-X8 work fine by setting the temp higher than room temp, then system should start heating, when heating, the LED on HTW-31-X8 will on, that means the corresponding actuator is working now. ID Pair success.
- d) If you want unlink the thermostat and HTW-31-X8 channel, you can power off HTW-31-X8, then power on the HTW-31-X8 and long press the channel KEY button within 1 minutes, when you see that Channel on and off, the unlink success.

Installation

For portable use, HTW-31-KT19 foot pod must be installed to control unit as can be seen in the figure below.



For wall mounting, first the wall bracket should be mounted on the wall, then the control unit and the wall bracket must be fitted as shown in the following figure.



Dimensions

Unit: mm

