

# Room Temperature Controllers with LCD

HTW-31-KT13

This room thermostat is used in heating only or cooling only systems to maintain selected room temperature. The controller acquires the room temperature with its integrated sensor and maintains the set point by delivering control commands.



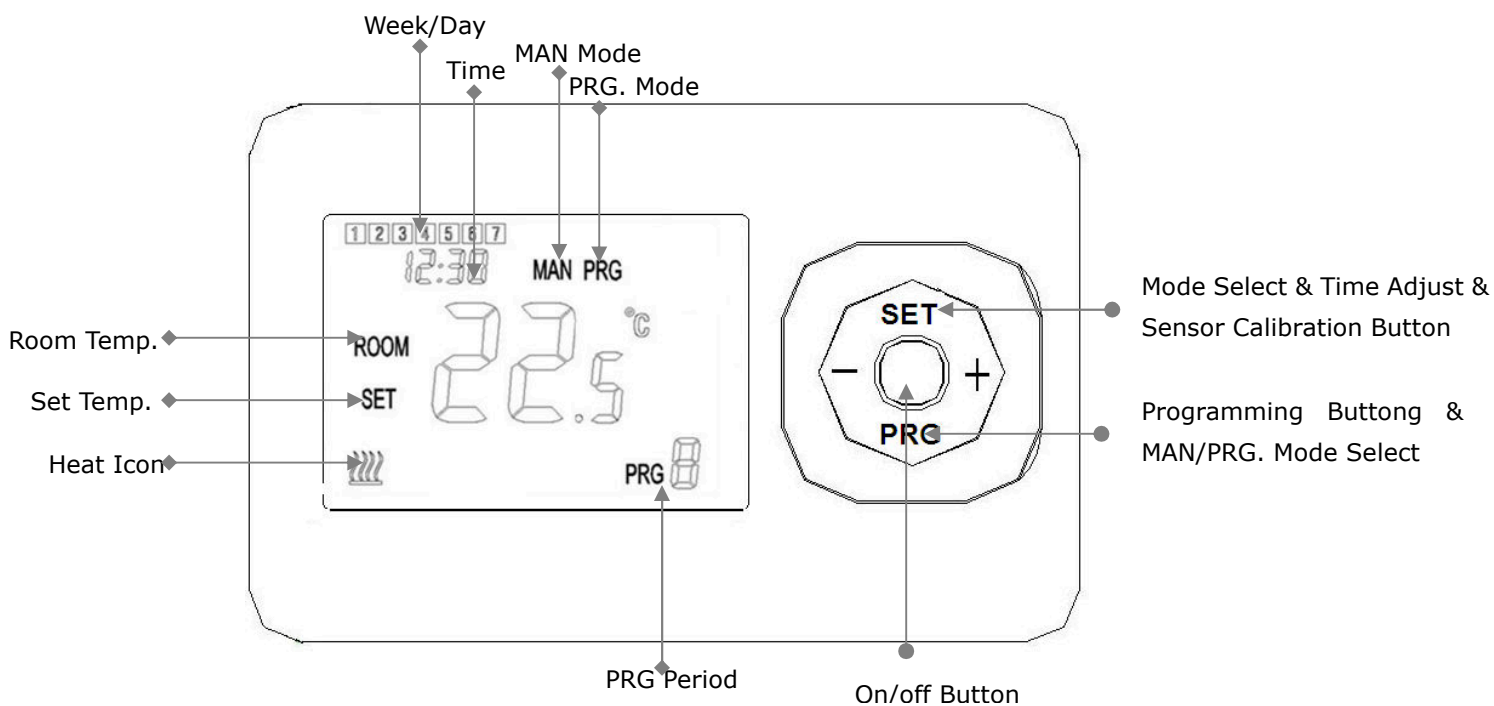
## Functions

- ✓ Large display can be clearly read with the background lighting.
- ✓ Four buttons make it easy to use.
- ✓ MAN Mode and PRG. Mode
- ✓ 4 periods of each day programmable(5+1+1)
- ✓ The display shows the set temperature as well as the measured temperature, time.
- ✓ Temperature display in degrees Celsius.

## Technical Data

Thermostat operating voltage:	2 x AAA, alkaline batteries.
Backup storage:	EEPROM
Maximum voltage / (ohmic) load:	230 VAC/8A.
Switching options:	5+1+1
Temperature settings:	5°C ~ 30°C, 0.5°C increments.
Accuracy:	+/- 0.5°C
Thermostat dimensions:	Surface mounted, 135mm x 87.5 mm x 23.2mm.
Color:	White
IP protection rating:	30.

## Display & Buttons



## PRG. Schedule Setting

Long press **PRG** button to enter PRG setting. The weekday is fixed from Monday to Sunday(1~7), each day have 4 periods(1~4). Each press of **PRG** button can into next item setting.

The time and temperature of each period i can be set in following steps.

- 1). Press **PRG** and hold for 3 seconds, the time display flash, change the value by + and - button. (each press is 15mins)
- 2) Press **PRG** button , the temperature display flash, change the temperature by + and - button.
- 3). Press **PRG** button to next period.
- 4). The other period settings follow the same way.

**Example:**

	Monday to Friday				Saturday				Sunday			
Period	1	2	3	4	1	2	3	4	1	2	3	4
Time	6:30	8:00	18:00	22:30	8:00	10:00	18:00	23:00	9:00	12:00	19:00	0:00
Temp.	21°C	18°C	21°C	16°C	21°C	21°C	21°C	16°C	23°C	21°C	16°C	21°C

## Clock Adjustment

- Press and hold the **SET** button for around 3 seconds. The minutes display (top left in the display) flashes.
- Change this value using the + and - buttons.
- Press the **SET** button . The hour display (top left in the display) flashes.
- Change this value using the + and - buttons.

# Room Temperature Controllers with LCD

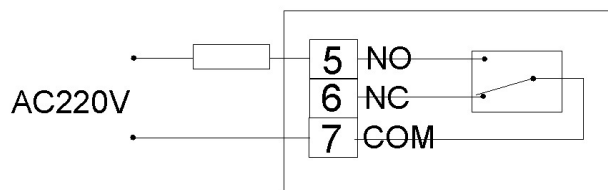
HTW-31-KT13

- Press the **SET** button. The day display (top left in the display) will flash as a number.
- Change this value using the **+** and **-** buttons. Use 1 for Monday, 2 for Tuesday, 3 for Wednesday, 4 for Thursday, 5 for Friday, 6 for Saturday and 7 for Sunday.

## Temp. Calibration

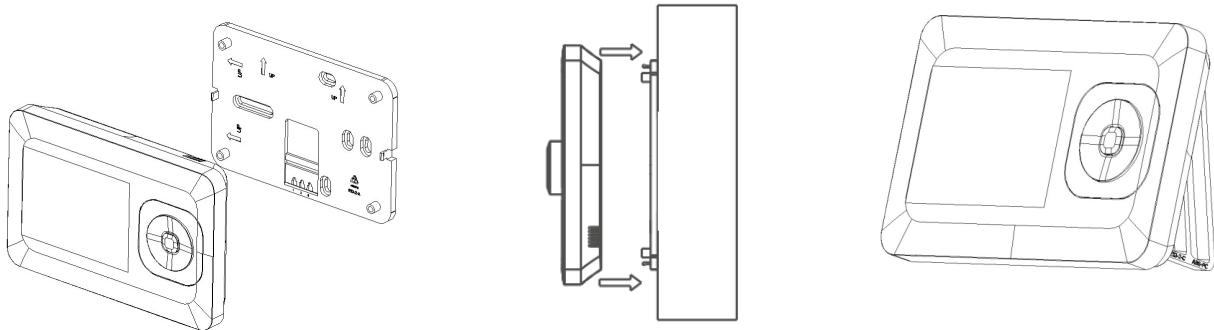
Turn thermostat off, long press SET button to enter Sensor calibration. Range: -8°C~+8°C

## Wiring Diagram



## Mounting

### Transmitter



**Mount on wall:** Separate the face plate and base plate, and mount the base plate on the wall with provide screws. After done, hung the face plate on base plate

**Put on desk:** install the foot directly .

## Dimensions

### Unit

